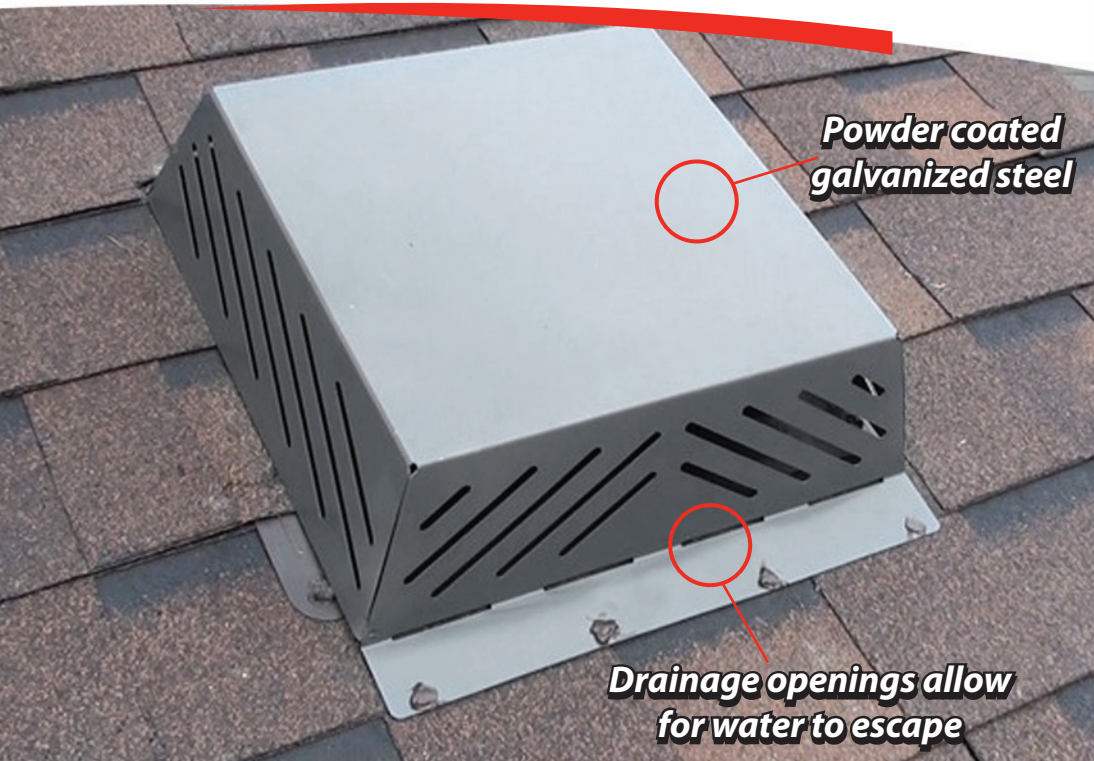


Vent**GUARD** PLUS

RD50

Control the Wild!



Powder coated galvanized steel

Drainage openings allow for water to escape

Roof vents are the most common entry point for vermin. Control the wild and protect your roof vents by covering them with VentGUARD PLUS. VentGUARD PLUS protects roof vents against wildlife, falling debris, hail, shingle mold, and damage from snow removal.

- No scented gimmicks
- Covers over standard roof vents
- Retains venting area of 50 sq. in.
- Simple **cover and screw** application
- Ideal for all roof pitches
- Built-in drainage design
- 100% recyclable
- Powder coated galvanized steel
- Covers faded and damaged vents
- Patent Pending



Ideal for all roof pitches

Covers existing roof vents while **allowing** for 50 sq. in. of "protected" airflow.

duraflo.com
WE KNOW VENTILATION

www.duraflo.com

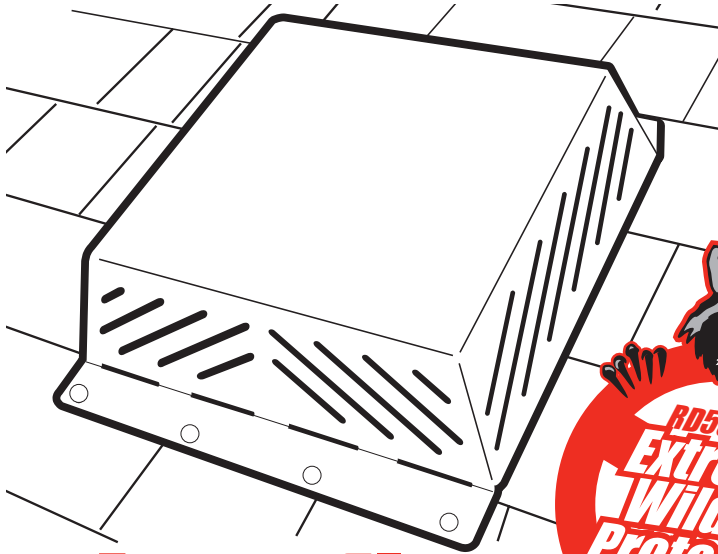
CAN: 1-800-461-5300 USA: 1-888-461-5307

canplas[™]

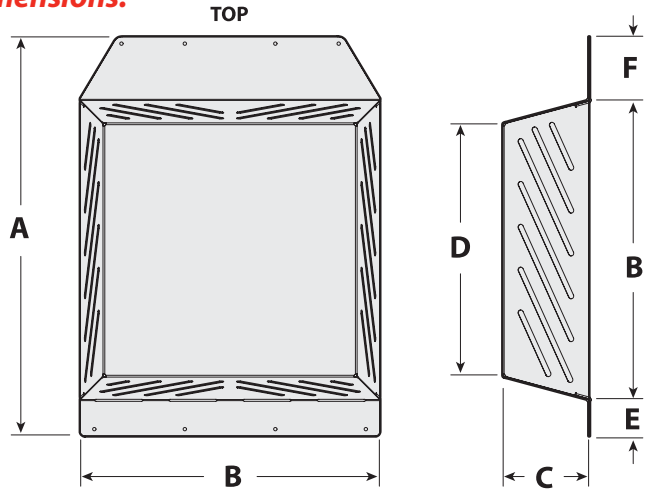
an O'Aliaxis company

VentGUARD PLUS RD50

Control the Wild!



Dimensions:



A	B	C	D	E	F
22"	16.5"	4.8"	14"	2"	3.5"

duraflo.com
WE KNOW VENTILATION



Durability:

Powder coated strong galvanized steel, engineered to resist denting, peeling, fading and extreme weather

Colours:

Manufactured in gun smoke grey. Easily paintable to match roof colour.

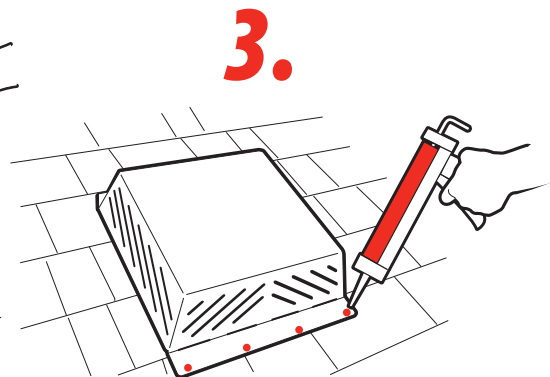
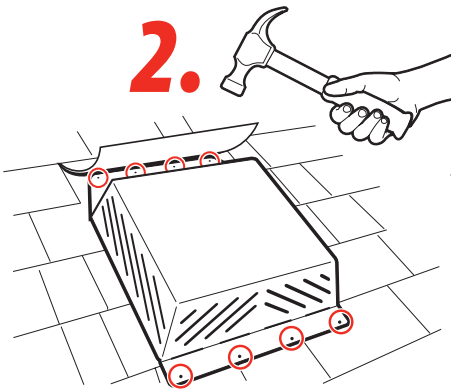
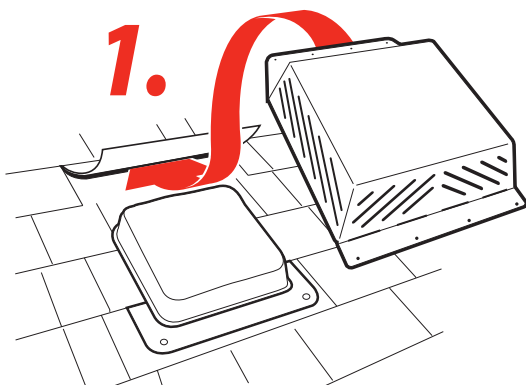
Extreme Protection :

The RD 50 protects roof vents against hail, falling debris and shovel damage. Drainage openings prevent pooling while maximizing airflow and venting capabilities.

Installation:

1. Simply place the VentGUARD PLUS over the homes' existing roof vent and nail or screw down.
2. Use 2" screws or 2" roofing nails.
3. Seal all screw or nail heads with an outdoor sealant

DESCRIPTION	PART #	SIZE	CTN. QTY.
Gun Smoke Gray	60RD50	16.5" x 22" x 4.8"	6



CANADA

Canplas Industries Ltd.
P.O. Box 1800, 500 Veterans Dr.
Barrie, Ontario
Canada L4M 4V3
Tel: (705) 726-3361
Fax: (705) 726-8991
Toll Free: 1-800-461-5300

Canplas Industries Ltd.
11408 - 163rd Street
Edmonton, Alberta,
Canada T5M 3T3
Tel: (780) 451-3206
Fax: (780) 452-0536
Email: prairie.sales@canplas.com

Canplas Industries Ltd.
9489 - 200 Street, Unit 201
Langley, B.C.
Canada V1M 3A7
Tel: (604) 455-0432
Fax: (604) 455-0452
Email: bc.sales@canplas.com

USA

Canplas LLC
11402 East 53rd Ave., Suite 200
Denver, Colorado
U.S.A. 80239
Tel: (303) 373-1918
Fax: (303) 373-1923
Toll Free: 1-888-461-5307

E-mail: duraflo@canplas.com
www.duraflo.com

canplas[®]

an OAliaxis company